

General information

PVS420211006

The CMH compression load cell is made of stainless steel and it guarantees precision, strength and maximum resistance to impacts and overloads. The CMH cell has been specially designed for the industrial weighing of silos, tanks and ladles and it is used mainly in the food, chemical, pharmaceutical and steel industries. The product CMH can be customized according to customer needs, for example the compensated temperature range can be extended to $-10 \div +90$ ° C.



Suggested related products

A highly performing weighing system must be accurate, perfectly calibrated and well maintained. In order to improve the load cell performance and to optimize its functioning, you may need the following products:

Weight Transmitter [UWT 6008](#)

Weight Transmitter [DAT 1400](#)

Mounting kits [DE MOUNTING KIT](#)

Tester 1008 [TESTER 1008](#)

Junction Box [CGS4-C](#)

Double Shear Beam Load Cell [DDR](#)

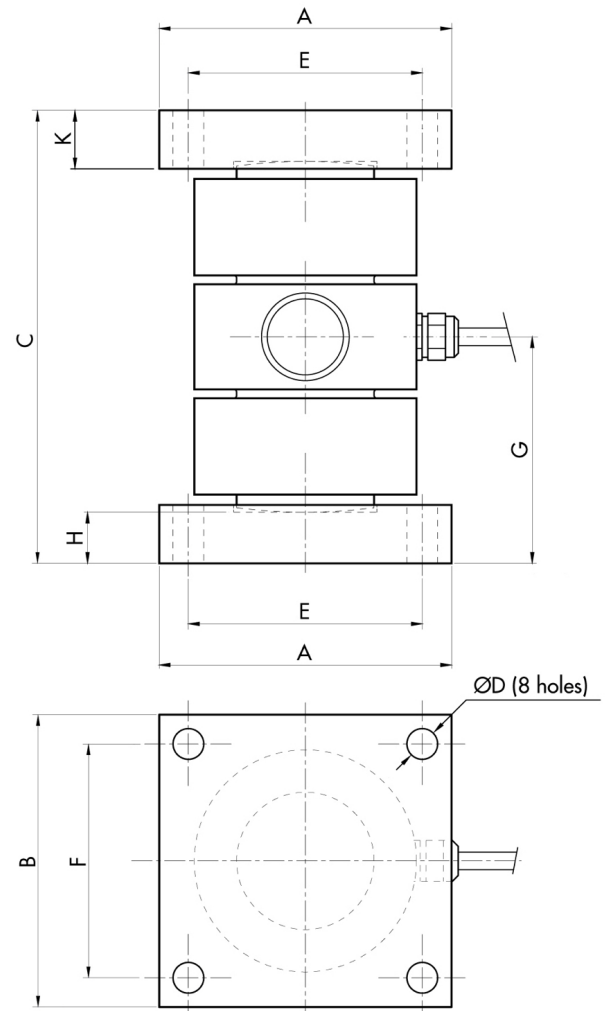
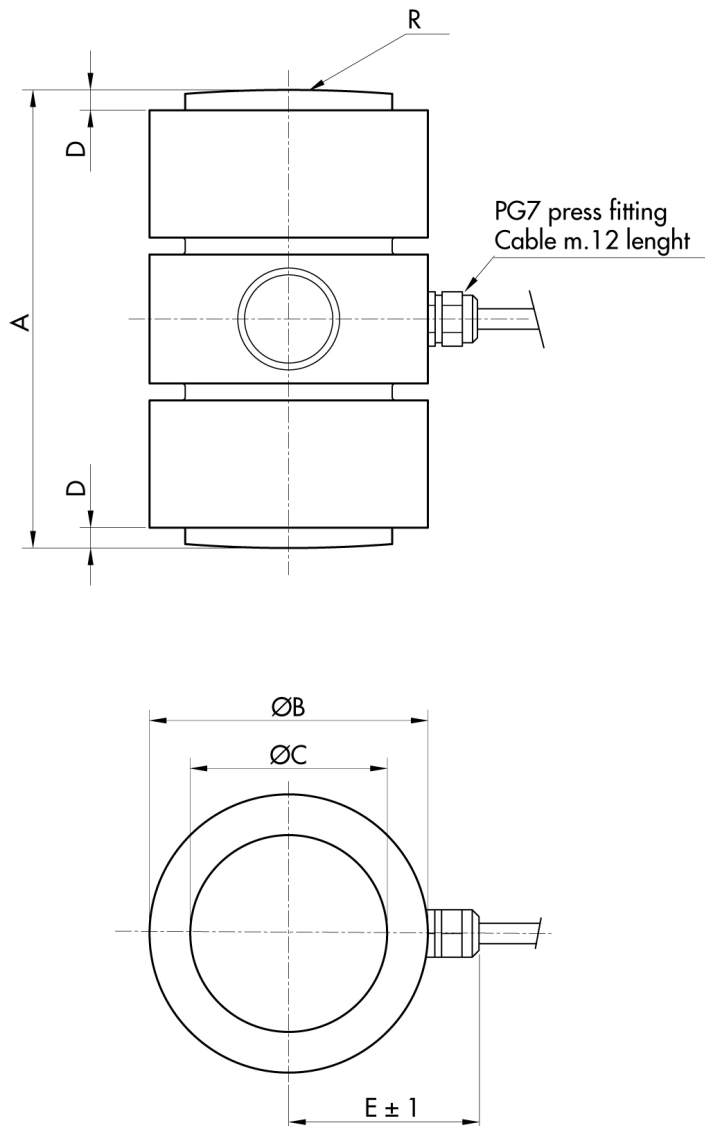
All indicated data may be changed without notice.
All the measures indicated are expressed in millimeters (mm).

Technical specifications

PVS420211006

Rated Load (RL):	2, 6, 10, 15, 20, 30, 40, 50, 60, 100, 150, 200, 250 t
Combined error:	±0.1 % RL
Repeatability:	± 0.05 % RL
Creep (20 minutes):	±0.03 % RL
Safe overload:	150 % RL
Ultimate overload:	> 300 % RL
Material:	Stainless steel
Degree of protection:	IP65
Deflection:	0.3 mm
Compensated Temperature:	-10 ÷ +50 °C
Temperature range:	-20 ÷ +65 °C
Temperature effect on zero balance:	±0.005 % RO/°C
Temperature effect on output:	± 0.005 % output/°C
Rated output RO:	2 mV/V ±0.25%
Zero balance:	±1 % RO
Insulation resistance:	> 5000 M Ohm
Input resistance:	350 ±20 Ohm
Output resistance:	350 ±5 Ohm
Recommended input:	5 ÷ 12 Vdc/Vac

All indicated data may be changed without notice.
 All the measures indicated are expressed in millimeters (mm).



RANGE	A	ØB	ØC	D	E	R
2-10 t	104	52	30	6	42	180
20-30 t	105	52	30	8	42	200
40-60 t	120	76	47	8	53	180
100 t	135	82	58	8	56	400
150-200 t	160	125	87	8	77	400
250 t	200	140	100	10	86	450

RANGE	A	B	C	ØD	E	F	G	H	K
2-10 t	80	80	120	6.5	68	68	60	8	10
20-30 t	100	100	140	10.5	80	80	70	17.5	20
40-60 t	100	100	160	10.5	80	80	80	17.5	23
100 t	120	120	200	10.5	100	100	100	32.5	35
150-200 t	150	150	250	12.5	125	125	125	45	49
250 t	190	190	310	15	160	160	155	55	60

All indicated data may be changed without notice.
 All the measures indicated are expressed in millimeters (mm).